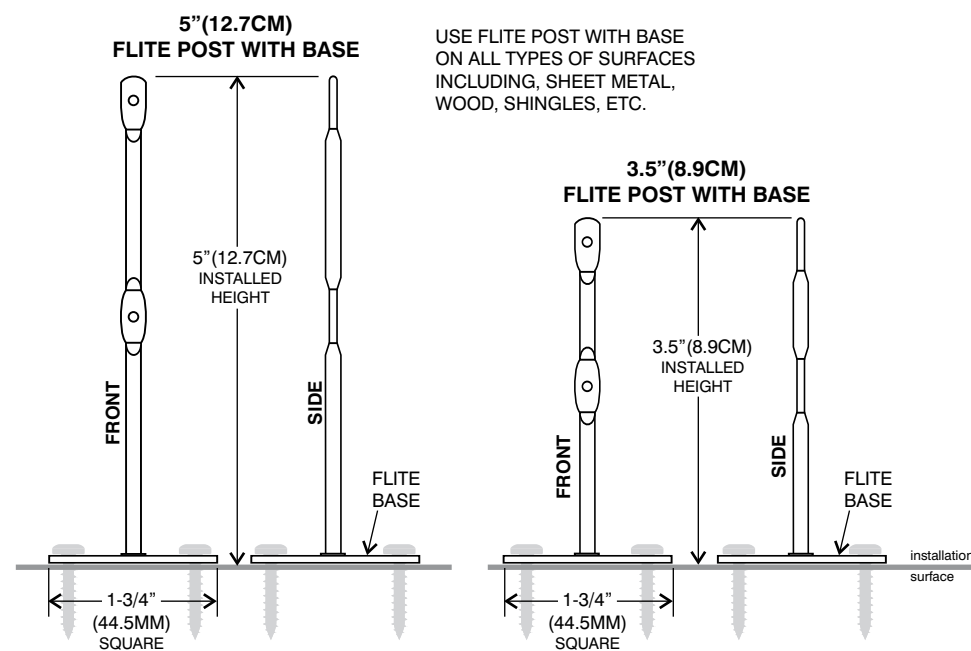


NIXALITE® FLITELINE POST & WIRE

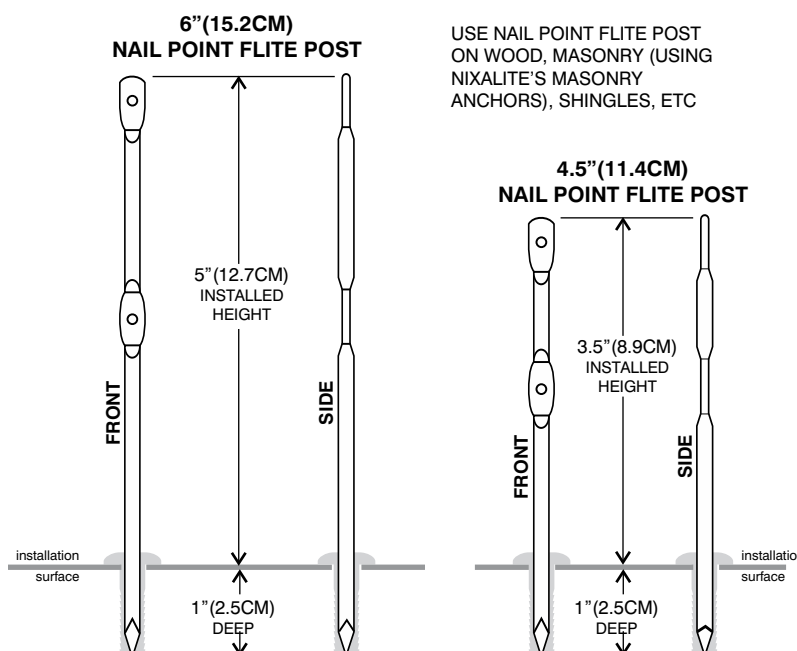
FLITELINE IS A SURFACE DETERRENT FOR PIGEONS & SEAGULLS. FLITELINE CAN BE INSTALLED ON NEARLY ANY SURFACE. IT IS SAFE FOR SURFACES WHERE OCCASIONAL HUMAN CONTACT IS TO BE EXPECTED.

NIXALITE® OF AMERICA INC

1025 16th Avenue, East Moline, IL 61244
 P 800.624.1189 WEB www.nixalite.com
 F 800.624.1196 EMAIL birdcontrol@nixalite.com



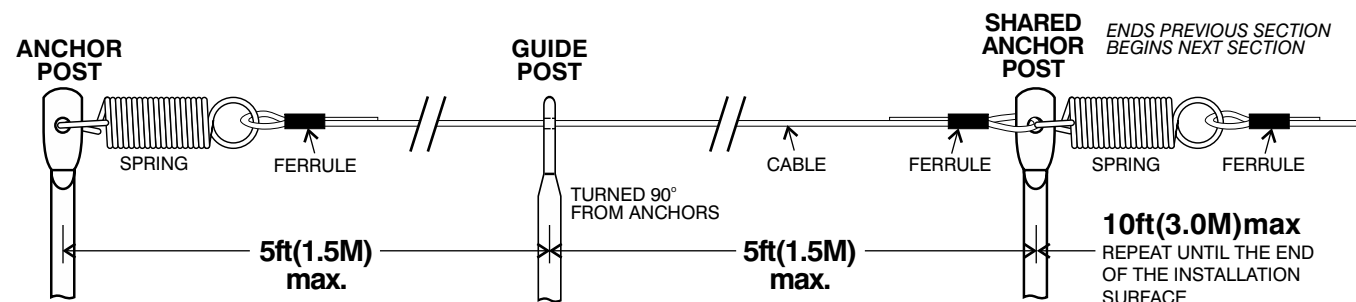
USE FLITE POST WITH BASE ON ALL TYPES OF SURFACES INCLUDING, SHEET METAL, WOOD, SHINGLES, ETC.



USE NAIL POINT FLITE POST ON WOOD, MASONRY (USING NIXALITE'S MASONRY ANCHORS), SHINGLES, ETC

FLITELINE POST WITH BASE
 SCALE: 6" = 1'0" (HALF)

FLITELINE NAIL POINT POST
 SCALE: 6" = 1'0" (HALF)



FLITELINE CABLE & POST ASSEMBLY
 SCALE: NOT TO SCALE

GENERAL NOTES:

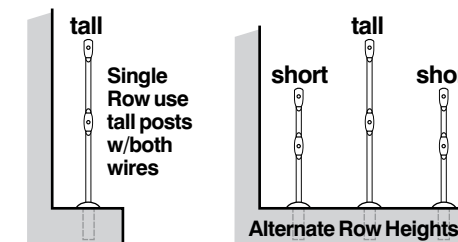
- ALL FLITELINE POSTS, BASES, CABLE AND SPRINGS ARE MADE FROM HIGH GRADE STAINLESS STEEL - **NO PLASTIC**
- FLITELINE POSTS:**
NAIL POINT: 4.5" (11.4CM) AND 6" (15.2CM) LONG. FOR WOOD AND MASONRY SURFACES. USE WITH NIXALITE MASONRY ANCHORS FOR MASONRY INSTALLATION. HAMMER INTO WOOD SURFACES (PRE-DRILL).
- FLITE BASE:** 3.5" (8.9CM) AND 5" (12.7CM) LONG. FOR ALL TYPES OF SURFACES. FASTEN WITH HARDWARE OR ADHESIVE (SOLD SEPARATELY).
- ALL ADDITIONAL ACCESSORIES:** MADE FROM STAINLESS STEEL OR WEATHER RESISTANT MATERIALS.
- FLITE CABLE:** 1/32" (0.8MM) DIAMETER STAINLESS STEEL CABLE WITH CLEAR NYLON JACKET.
- USE AS DETERRENT FOR PIGEONS AND SEAGULLS ON ALL TYPES OF INSTALLATION SURFACES.
- 3-PART SPECS IN PDF/DOC/TXT: www.nixalite.com/architectinfocenter.aspx
- FOR MORE INFO ON FLITELINE GO TO: www.nixalite.com/fliteline deterrent.aspx OR CONTACT NIXALITE AT 800.624.1189

HOW MANY ROWS OF FLITELINE ARE REQUIRED

SURFACE DEPTH AND LENGTH DETERMINES TOTAL QUANTITY REQUIRED TO DETER PIGEONS AND SEAGULLS FROM THAT SURFACE. ACCURATELY MEASURE THE SURFACE THEN USE THE DEPTH RANGE IN THE TABLE THAT MATCHES YOUR DEPTH.

FliteLine Rows Required		
Surface Depth		Rows Required
Inches	Centimeters	
0 - 2	0 - 5.1	1
2 - 5	5.1 - 12.7	2
5 - 8	12.7 - 20.3	3
8 - 11	20.3 - 28.0	4
11 - 14	28.0 - 35.6	5
14 - 17	35.6 - 43.2	6
17 - 20	43.2 - 50.8	7

Multiple rows ; alternate post heights. Use short posts at outer edges. Run both wires.
Single row; use tall posts. Run both wires

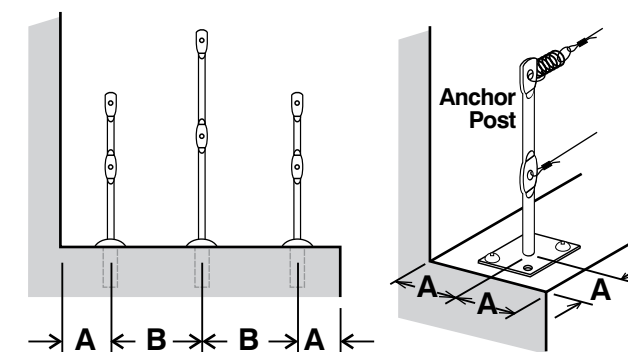


SPACING THE ROWS OF FLITELINE

ONCE YOU HAVE THE NUMBER OF ROWS REQUIRED, YOU NEED TO DETERMINE HOW THE ROWS ARE TO BE SPACED ON THAT SURFACE. USE THE SPACING RULES BELOW.

- A** 1" (2.5cm) max between a row and any edge or wall.
- B** 3" (7.6) max between rows.
- C** 1" (2.5cm) max from any anchor post to the end of a surface.

Do not exceed maximum spacing between rows!



SPACING POSTS IN A ROW OF FLITELINE

EACH ROW OF FLITELINE IS INSTALLED IN 'SECTIONS' UP TO 10FT (3.0M) LONG AND CONSISTS OF 2 ANCHOR POSTS AND ONE GUIDE POSTS. FOR LONGER SURFACES ADD MORE SECTIONS. USE THE SPACING RULES BELOW.

The **MAX SPACING** between posts in a row is **5ft (1.5m)**.

If the row is **LESS THAN 5ft (1.5m) long**, use one **Anchor Post** at each end.

If the row is **MORE THAN 5ft long**, add one **Guide Post** between the Anchor Posts.

The **MAX LENGTH** of a Section is **10ft (3.0m)**. A section consist of 2 Anchor Posts and 1 Guide Post.

