



PIGEON SPIKE



Budget Deterrent Spikes for Pigeons and Seagulls

The lowest cost bird spikes available. Designed for pigeons and seagulls, our new Pigeon Spikes can be installed quickly on all types of surfaces. Not recommended for other birds or heavy infestations of any bird. Two models are available; Pigeon Spike Composite and Pigeon Spike Plastic Narrow.

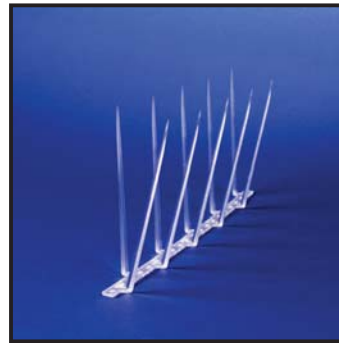
Pigeon Spike Composite & Narrow



Pigeon Spike Composite

Affordable combination of stainless wires in a flexible, UV stabilized polycarbonate base.

- Stainless steel wires in a weather resistant polycarbonate base.
- For pigeons and seagulls only. Not for small birds or where there are heavy bird populations.
- 20 flat-tipped wire points/foot.
- 6" wide, 5" high, 13" long strips.



Pigeon Spike Narrow

Low cost narrow spike made from UV stabilized polycarbonate. Use on narrow surfaces.

- 100% Durolon polycarbonate spikes and base.
- For pigeons and seagulls only. Not for small birds or where there are heavy bird populations.
- 20 plastic points/foot.
- 2" wide, 4-1/4" high, 13" long.

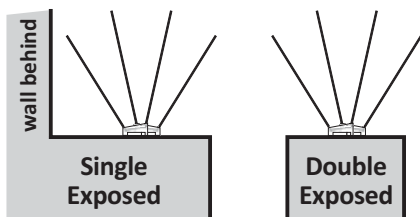
Installation accessories are sold separately and are not included with the Pigeon Spike Composite or the Pigeon Spike Plastic Narrow. You can use the stainless steel sheet metal screws (#MHS) to hold the strips to the surface or use one of the 2 types of adhesive available from Nixalite. We offer a self leveling adhesive (#600C or #600T) for flat surfaces and a non-slump adhesive for angled or sloped surfaces (#EBCLR125).

Estimating Guidelines

Estimating guidelines will be the same for both 6" wide spikes. For narrower ledges use the Pigeon Spike Narrow. If you are not sure which to use, contact a Nixalite representative for recommendations.

Basic Estimating Steps:

1. Measure surface **depth** and **length**.
2. Is surface **Single** or **Double Exposed**?
3. Use tables to find the **Rows Required**.
4. **Rows Required X Length = Total**.



Single Exposed		
Surface Depth		Rows
Inches	Centimeters	Required
0 - 3	0 - 7.6	1/2*
3 - 7	7.6 - 17.8	1
7 - 14	17.8 - 35.6	2
14 - 21	35.6 - 53.3	3
21 - 28	53.3 - 71.1	4
28 - 35	71.1 - 88.9	5
35 - 42	88.9 - 106.7	6
For each additional 7" add 1 row		

Double Exposed		
Surface Depth		Rows
Inches	Centimeters	Required
0 - 6	0 - 15.2	1
6 - 13	15.2 - 33.0	2
13 - 20	33.0 - 50.8	3
20 - 27	50.8 - 68.6	4
27 - 34	68.6 - 86.4	5
34 - 41	86.4 - 104.1	6
41 - 48	104.1 - 121.9	7
For each additional 7" add 1 row		

*1/2 = Pigeon Spike Narrow

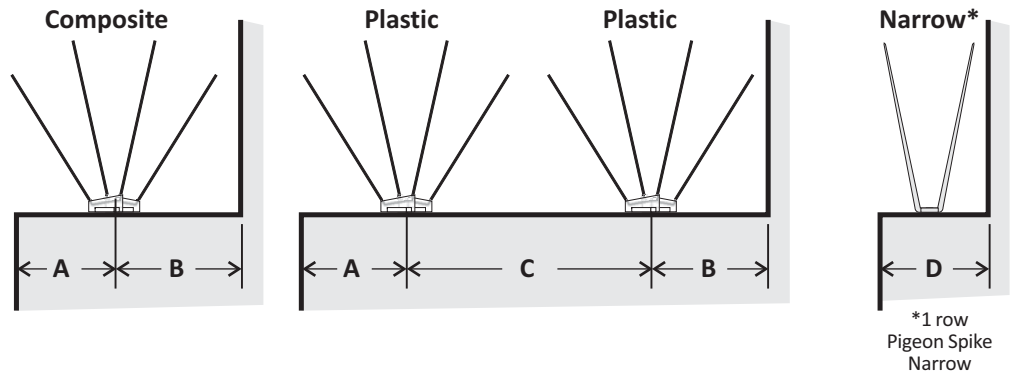
Pigeon Spike Spacing

Both Models

- A - 3" max. to edges
- B - 4" max. to walls
- C - 7" max. between

Plastic (modified)

- D - 3" max. coverage



Installing Pigeon Spikes

Pigeon Spikes are designed for **pigeons** and **seagulls** only. Do not use for other birds or heavy infestations of any type of bird. For **total surface control**, use **Nixalite's Premium Bird Barrier Models**.

Prepare the surface

Clean the surface thoroughly. It must be clean, dry and free of any bird waste. Repair any damage there might be to the installation surface.

Layout the spike positions

Using the Estimating and Spacing guidelines, mark where the center of each spike row will be placed.

Fit it first, then fasten it

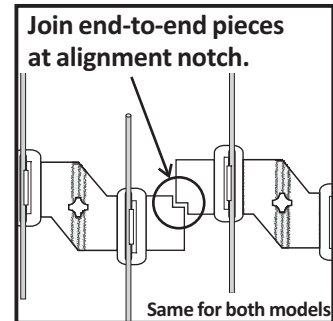
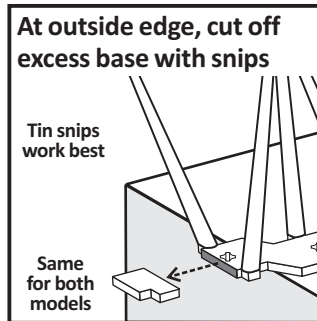
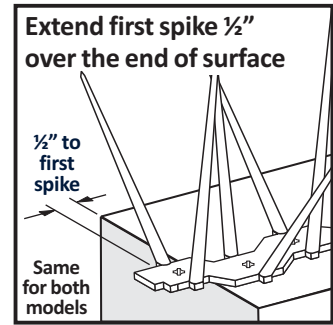
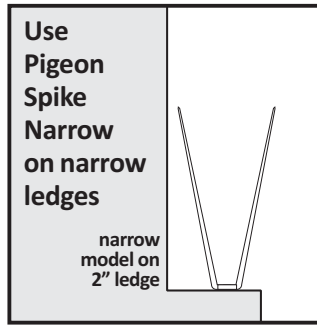
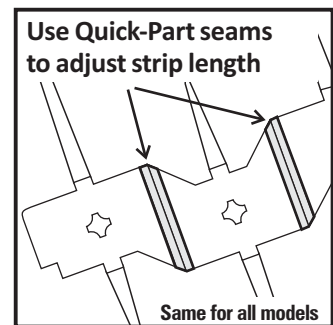
Make sure each piece fits the surface before installing;

- Find the Quick-Part seam that is just longer than the desired length. Gently bend the base up and down at the Quick-Part seam until it parts.
- **Pigeon Spike Narrow:** If installing on a narrow ledge (3" deep or less), use the Pigeon Spike Narrow. This has a narrower base and less span to the spikes.
- Overhang the first spike at least $\frac{1}{2}$ " at the end of a surface. Adjust length if needed to ensure this overhang. **For best results** cut off the excess plastic base flush to the 1st spike overhanging the edge.
- When butting the strips end-to-end, use the alignment notch at each end of the base. Do not allow gaps between strips or between a strip and object.

Fastening Pigeon Spikes

If fastening with adhesive, follow the manufacturers instructions printed on the adhesive container. If installing with the optional hardware, contact Nixalite.

Make sure all strips are securely fastened.



Nixalite® of America Inc.
1025 16th Avenue East Moline, IL. 61244
Experts In Architectural Bird Control Since 1950

Phone: 800.624.1189 or 309.755.8771
Fax: 800.624.1196 or 309.755.0077
Email: birdcontrol@nixalite.com
Web: www.nixalite.com



Where the World Shops for Humane Bird and Animal Control.