

CAUTION

SAFETY RECOMMENDATION ON GOOD VENTING PRACTICE. READ CAREFULLY.

1. Before the chimney cover is installed, your chimney should be inspected to be sure your chimney has been constructed properly. It needs to be the proper size and height for what you are venting to provide an adequate draft. This inspection will assure that the flue is not in need of repair and is clear of any obstructions. Bird, squirrel, or animal nests, tree limbs, leaves, fallen brick or tile lining all could cause hazardous conditions. The vent pipe leading from the furnace to the chimney should also be thoroughly checked for deterioration, blockage and/or soot accumulation. We recommend a Certified Chimney Sweep, Gas Company, or Furnace Company, to perform this safety inspection.

2. When wood burning units are being vented, the chimney should be visually checked as often as every few days. If the cover or screen appears to be sooty or dirty, it follows that the inside of the flue is also dirty. A buildup inside the chimney could cause a **CHIMNEY FIRE**. The cause of this buildup may be a slow draft or the type of wood that is being burned. In this case, contact your local Certified Chimney Sweep to inspect and clean the flue and suggest steps to minimize further buildup in the future.

3. If you are venting a gas or oil furnace/heater, **EXTREME CAUTION** should be taken when temperatures fall below freezing. Visually check the chimney cover daily for possible frost, snow, freezing rain, or ice buildup. If drafting properly, the heat from the escaping flue gases will prevent any frost buildup on the cover. However, improper burner settings or conditions, obstructions or restrictions that may develop in the furnace or the chimney, could cause the escaping flue gases to cool down. The cooling of these gases could cause a buildup of frost and ice on the cover. If this buildup condition occurs, call a Certified Furnace Company, Gas Company, or a Chimney Sweep **AT ONCE**.

4. **CARBON MONOXIDE BUILDUP** in the house, due to a blockage in the chimney or an improper functioning furnace/heater, **MAY CAUSE DROWSINESS, HEADACHES, AND/OR NAUSEA**, in it's early stages, warning of it's presence. **CONTINUED EXPOSURE COULD BE FATAL**, if proper chimney venting is not established and maintained.

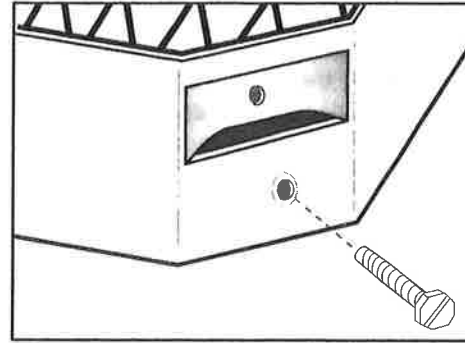
HYC Company, Inc.

St. Louis, MO

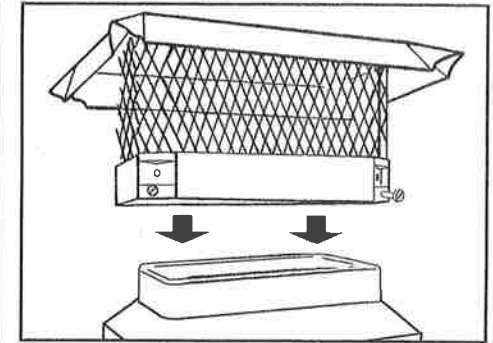
Made in U.S.A.
Printed in U.S.A.
4-97-5M

Instructions For Installing **BLACK OR STAINLESS STEEL CHIMNEY COVER** READ ALL INSTRUCTIONS AND CAUTIONS (ON BACK) BEFORE PROCEEDING!

CONTENTS: ONE (1) PACKAGE OF FOUR (4) SCREWS
ONE (1) ASSEMBLED CHIMNEY COVER



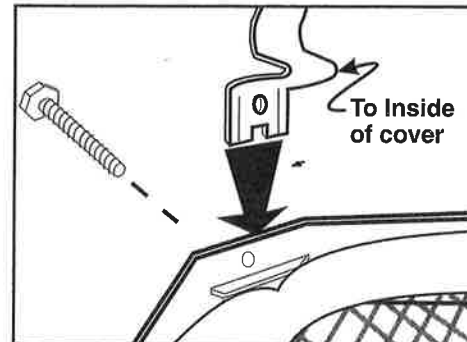
1. Insert one screw into the lower hole located in each mitered corner of the chimney cover band. (Just start the screw into the hole a few turns, until all four screws are started.)



2. Place the chimney cover on the flue liner and align the base with the flue liner. Partially tighten each of the four (4) screws until they are snug to the liner. Then tighten each of the four (4) screws firmly to the liner.

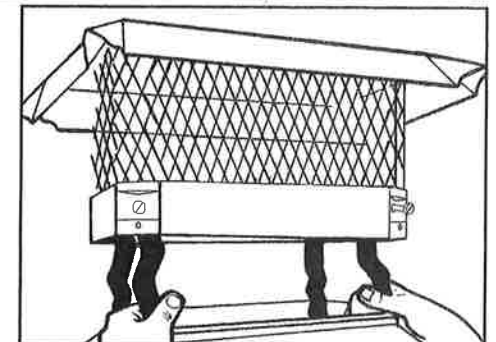
NOTE

If the tile is extended less than 3/4" out of the mortar, and will not allow the corner screws to engage securely, a leg kit (LK4) for black or (LK-4SS) for stainless steel is available from your dealer. You may then complete the installation as shown below.



1. Slip the leg up through the lance inside each corner of the band until the hole in the leg is aligned with the hole in the lanced band. Insert the mounting screw (use same four screws enclosed with cover) through the hole in the leg and into the hole in the lance. Tighten the screws just enough to hold legs into the laced slots on each corner of the cover.

Do not tighten fully at this time.



2. Insert two (2) legs into the liner no more than 1". By exerting pressure as shown, force the other legs inside the liner. Push cover straight down into the chimney liner as far as possible. Tighten the screws on all four (4) legs until the cover is held firmly into the Flue Tile.