

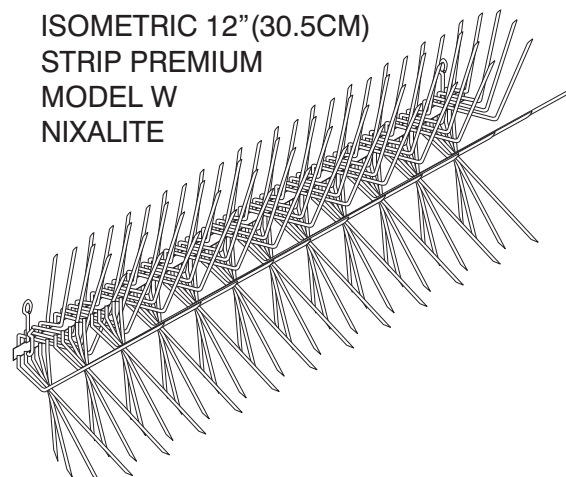
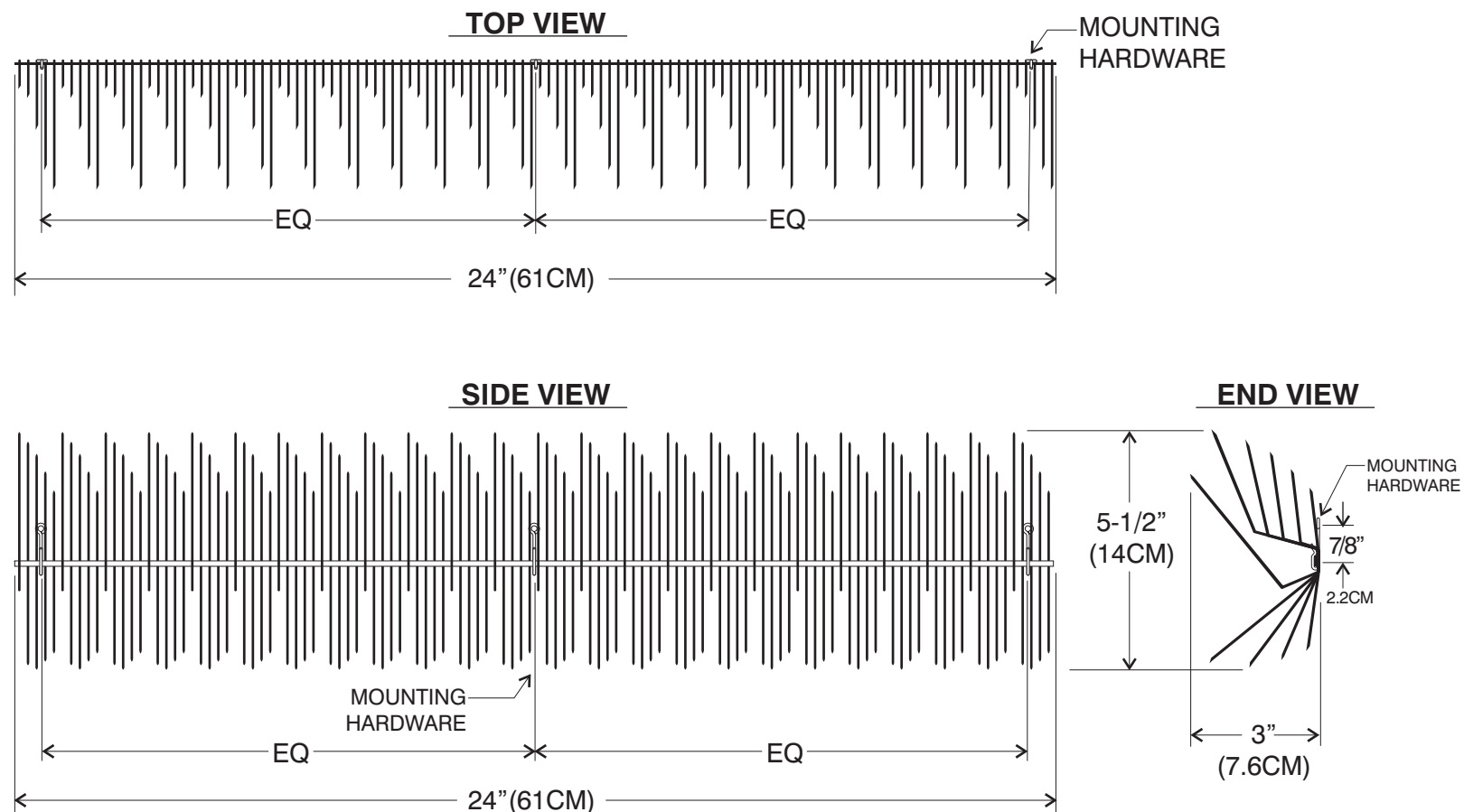
NIXALITE® OF AMERICA INC
 1025 16th Avenue, East Moline, IL 61244
 P 800.624.1189 WEB www.nixalite.com
 F 800.624.1196 EMAIL birdcontrol@nixalite.com

NOTE: Contact Nixalite before specifying Model W Nixalite. This is a specific use model.

Copyright© 2010 by Nixalite® of America Inc, East Moline, IL 61244 - All rights reserved.
 Nixalite® is a fully registered trademark of Nixalite® of America Inc.

PREMIUM NIXALITE® MODEL W

SCALE: 3" = 1'0" UNLESS OTHERWISE NOTED



GENERAL NOTES

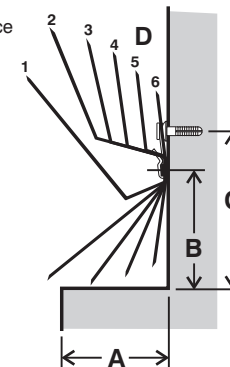
1. ALL PREMIUM NIXALITE SPIKE BARRIERS 100% HIGH GRADE STAINLESS STEEL WIRE AND STRIP - NO PLASTIC
2. PREMIUM MODEL W; 120 POINTS/12" (30.5CM) AND COMES IN 2' (61CM) AND 4' (122CM) STRIP LENGTHS.
2. MADE IN THE USA.
3. MOUNTING HARDWARE SUPPLIED WITH ALL PREMIUM NIXALITE MODELS.
4. ALL PREMIUM NIXALITE MODELS HAVE 20 YEAR WARRANTY
5. PREMIUM MODEL W IS VERTICAL SURFACES ONLY. USE ABOVE NARROW SURFACES LESS THAN 2" DEEP. USE WITH MODEL S NIXALITE TO CONTROL CLIMBING ANIMALS OR MUD NEST BUILDING BIRDS.
6. 3-PART SPECS IN 3 FORMATS: www.nixalite.com/architectinfocenter.aspx OR CONTACT NIXALITE AT 800.624.1189

GENERAL NOTES

1. ALL PREMIUM NIXALITE SPIKE BARRIERS 100% HIGH GRADE STAINLESS STEEL WIRE AND STRIP - NO PLASTIC
2. MADE IN THE USA.
3. MOUNTING HARDWARE SUPPLIED WITH ALL PREMIUM NIXALITE MODELS.
4. ALL PREMIUM NIXALITE MODELS HAVE 20 YEAR WARRANTY
5. PREMIUM MODEL W IS VERTICAL SURFACES ONLY. USE ABOVE NARROW SURFACES LESS THAN 2" DEEP. USE WITH MODEL S NIXALITE TO CONTROL CLIMBING ANIMALS OR MUD NEST BUILDING BIRDS.
6. 3-PART SPECS IN PDF/DOC/TXT FORMATS: www.nixalite.com/architectinfocenter.aspx OR CONTACT NIXALITE AT 800.624.1189

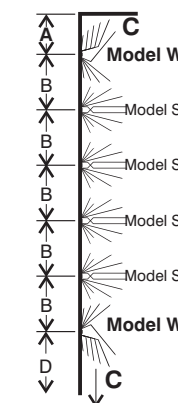
Above Narrow Surfaces

- A Max horizontal surface coverage is 2" in depth.
- B Maximum distance from center of base strip to horizontal surface is 2-3/4".
- C Max distance from horizontal surface to the mounting hardware is 3-5/8".
- D For this app. install Model W with the 6 wire side facing up.



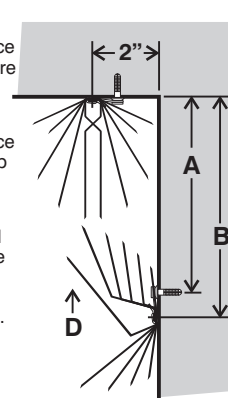
Climbing Animal Barrier

- Install 2 rows Model W (top and bottom) and 4 rows Model S (in between).
- A The top row of Model W to be 2-1/8" from overhead object.
- B Center to center spacing for all rows is 4-1/2".
- C 6-wire side of Model W points away from inside rows.
- D Lowest row to be 60" from ground (min).



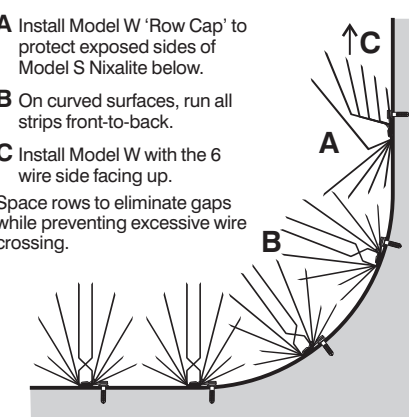
Mud Swallow Installation

- A Maximum distance from overhead surface to mounting hardware position is 6-1/4".
- B Maximum distance from overhead surface to Model W base strip center is 7-1/4".
- C At least one row of Model W and Model S are required. Some installations will require **additional rows** of both models.
- D For this app. install Model W with the 6 wire side facing up.



Row Cap

- A Install Model W 'Row Cap' to protect exposed sides of Model S Nixalite below.
 - B On curved surfaces, run all strips front-to-back.
 - C Install Model W with the 6 wire side facing up.
- Space rows to eliminate gaps while preventing excessive wire crossing.



For more information on Nixalite's Premium Bird Barrier Spikes, go to: www.nixalite.com/Nixalitemodels.aspx or contact Nixalite at 800.624.1189

Copyright© 2010 by Nixalite® of America Inc, East Moline, IL 61244 - All rights reserved.
 Nixalite® is a fully registered trademark of Nixalite® of America Inc.

PLANNING AND ESTIMATING - PLANNING AND ESTIMATING - PLANNING AND ESTIMATING - PLANNING AND ESTIMATING - PLANNING AND ESTIMATING