

NIXALITE® OF AMERICA INC
 1025 16th Avenue, East Moline, IL 61244
 P 800.624.1189 WEB www.nixalite.com
 F 800.624.1196 EMAIL birdcontrol@nixalite.com

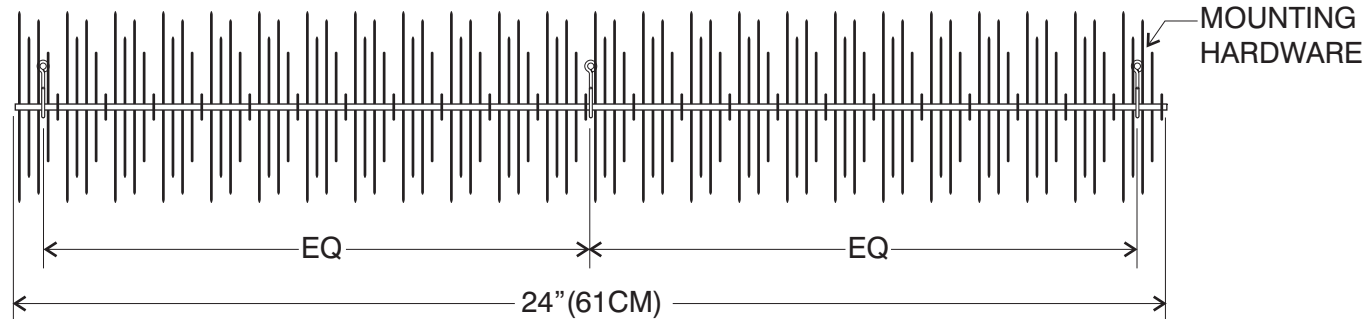
Copyright© 2010 by Nixalite® of America Inc, East Moline, IL 61244 - All rights reserved.
 Nixalite® is a fully registered trademark of Nixalite® of America Inc.

PREMIUM NIXALITE® MODEL S

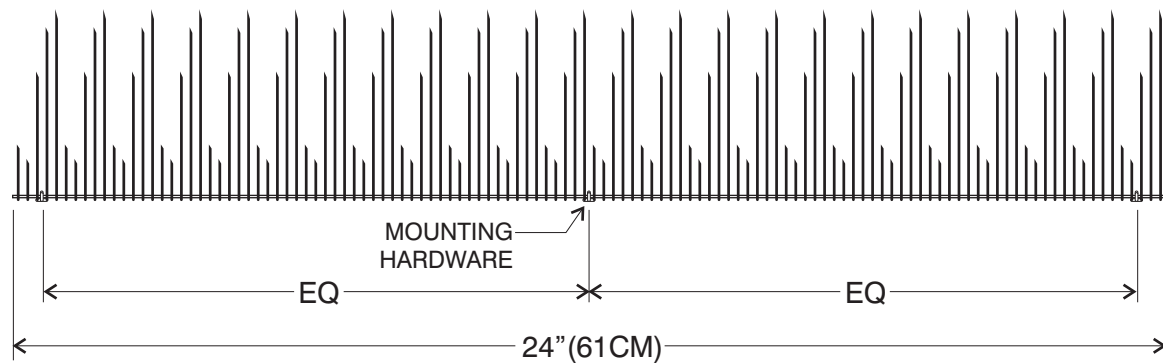
SCALE: 3" = 1'0" UNLESS OTHERWISE NOTED



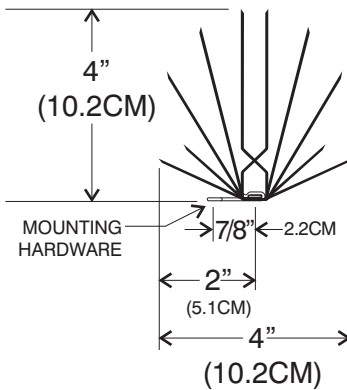
TOP VIEW



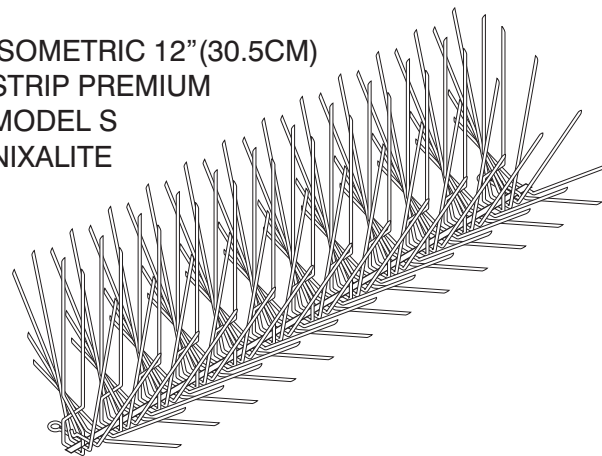
SIDE VIEW



END VIEW



ISOMETRIC 12" (30.5CM)
 STRIP PREMIUM
 MODEL S
 NIXALITE



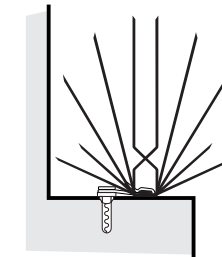
GENERAL NOTES

1. ALL PREMIUM NIXALITE SPIKE BARRIERS 100% HIGH GRADE STAINLESS STEEL WIRE AND STRIP - **NO PLASTIC**
2. **PREMIUM MODEL S**; 120 POINTS/12" (30.5CM) AND COMES IN 2' (61CM) AND 4' (122CM) STRIP LENGTHS.
3. **MADE IN THE USA.**
4. MOUNTING HARDWARE **SUPPLIED WITH ALL PREMIUM NIXALITE MODELS.**
5. ALL PREMIUM NIXALITE MODELS HAVE **20 YEAR WARRANTY**
6. WORKS FOR ALL BIRD SPECIES ON ALL SURFACES IN ALL INFESTATION LEVELS
7. 3-PART SPECS IN PDF/DOC/TXT FORMATS: www.nixalite.com/architectinfocenter.aspx OR CONTACT NIXALITE AT 800.624.1189

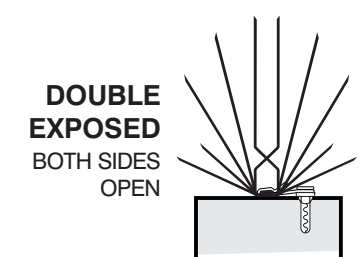
For more information on Nixalite's Premium Bird Barrier Spikes, go to: www.nixalite.com/Nixalitemodels.aspx or contact Nixalite at 800.624.1189

SURFACE DEPTH SPECIFICATION CHARTS

THE SURFACE DEPTH AND LENGTH DETERMINES THE QUANTITY OF PREMIUM NIXALITE REQUIRED TO PROTECT THAT SURFACE. DETERMINE THE SURFACE EXPOSURE (SINGLE OR DOUBLE EXPOSED) AND USE THE CORRESPONDING TABLE



SINGLE EXPOSED
 ONE SIDE OPEN



DOUBLE EXPOSED
 BOTH SIDES OPEN

SINGLE EXPOSED		
Surface Depth		Rows Required
Inches	Centimeters	
0 - 2	0 - 5.1	½ row*
2 - 4	5.2 - 10.2	1 row
4 - 6	10.3 - 15.3	1½ rows
6 - 9	15.3 - 22.9	2 rows
9 - 14	22.9 - 35.6	3 rows
14 - 19	35.6 - 48.3	4 rows
19 - 24	48.3 - 61.0	5 rows
24 - 29	61.0 - 73.7	6 rows
29 - 34	73.7 - 86.4	7 rows
34 - 39	86.4 - 99.1	8 rows

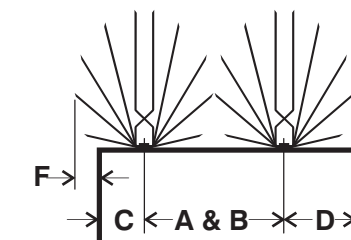
DOUBLE EXPOSED		
Surface Depth		Rows Required
Inches	Centimeters	
0 - 3.5	0 - 8.9	1 row
3.5 - 5.5	8.9 - 14.0	1½ row*
5.5 - 8.5	14.0 - 21.6	2 rows
8.5 - 13.5	21.6 - 34.3	3 rows
13.5 - 18.5	34.3 - 47.0	4 rows
18.5 - 23.5	47.0 - 59.7	5 rows
23.5 - 28.5	59.7 - 72.4	6 rows
28.5 - 33.5	72.4 - 81.5	7 rows
33.5 - 38.5	81.5 - 97.8	8 rows
38.5 - 43.5	97.8 - 110.5	9 rows

* ½ row indicates the use of **Model H Nixalite**. Whole number indicate the use of full row **Model S Nixalite**. **NOTE:** charts DO NOT apply to **Model W Nixalite**. If using Model W, review the Installing Model W Nixalite pages from Nixalite. Download this brochure from www.nixalite.com or contact Nixalite for a free copy.

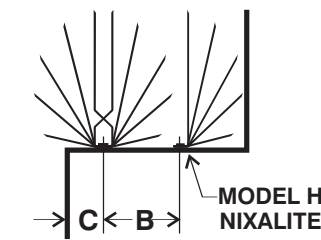
NIXALITE SPACING GUIDELINES

SPACING GUIDELINES PROVIDE THE MAXIMUM AND MINIMUM DIMENSIONAL SPACING FOR THE PREMIUM NIXALITE MODELS S AND H.

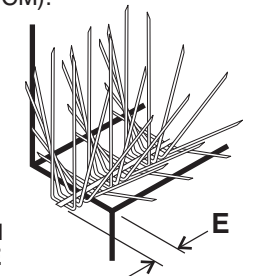
- A** ALWAYS MEASURE FROM THE **CENTER OF THE BASE STRIP.**
- B** 5" (12.7CM) MAX - 3½" (8.9CM) MIN BETWEEN ROWS OF MODEL S. 2½" (6.4CM) MAX - 2" (5.1 CM) MIN BETWEEN MODEL H AND S.
- C** 1¾" (4.4 CM) MAX FROM THE OUTSIDE EDGE TO THE CENTER OF THE FIRST ROW.
- D** 2¼" (5.7 CM) MAX FROM INSIDE WALL TO THE CENTER OF THE INSIDE ROW OF NIXALITE.
- E** EXTEND BASE STRIP AT LEAST ½" (1.3 CM) OVER ENDS OF SURFACE.
- F** NIXALITE NEEDLES MUST EXTEND OVER THE OUTSIDE EDGE AT LEAST ¼" (0.6 CM).



NOT TO SCALE



NOT TO SCALE



NOT TO SCALE

Copyright© 2010 by Nixalite® of America Inc, East Moline, IL 61244 - All rights reserved.
 Nixalite® is a fully registered trademark of Nixalite® of America Inc.

PLANNING AND ESTIMATING - PLANNING AND ESTIMATING - PLANNING AND ESTIMATING - PLANNING AND ESTIMATING - PLANNING AND ESTIMATING