

Tensioned Cable Installation Example

The information below provides the basic procedures for installing a tensioned cable system. This example shows an all steel surface. Your application may be different. If you have any questions contact **ABC/Nixalite**.

General Procedures

1. Install Corner Hardware.

Drill 9/32" dia. hole for corner hardware eyebolt. Secure with the supplied hex nut.

2. Install Cable Guide Hardware.

Install cable guides 24" o.c. Use Sammy Socket to seat the example sidewinder cable guides properly. Align cable guide holes for cable.

3. Fasten Cable to Eyebolts.

Each connection - 2 rope clamps, 1 thimble. Slide 2 rope clamps onto cable first.

Push a thimble into the eyebolt. Make a loop by passing the cable through the eyebolt. Make sure there is at least 3" of extra cable.

Position the first rope clamp 2" from eyebolt and lightly tighten the nuts. Position the second rope clamp as close to the eyebolt as possible and lightly tighten nuts. Take up slack in cable and tighten all rope clamp nuts.

4. Fasten Cable to Turnbuckles.

Run the cable through all cable guides before fastening the cable to the turnbuckle.

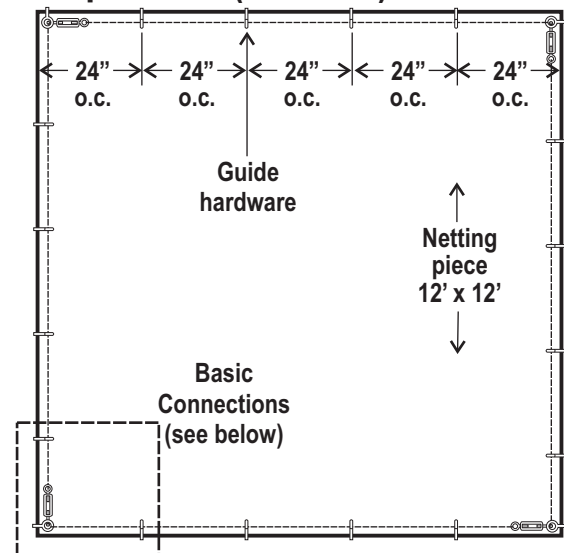
Open the turnbuckle to its maximum safe length. Push a thimble into the eyelet of the turnbuckle. Slide 2 rope clamps over the end of the cable. Make a loop by passing cable through turnbuckle eye. Make sure there is at least 3" of extra cable. Position the first rope clamp 2" from eyelet and lightly tighten the nuts. Position second rope clamp as close to the eyelet as possible. Lightly tighten nuts.

Adjust the length of the cable so the hook end of the turnbuckle will go through the corner eyebolt then tighten all rope clamp nuts.

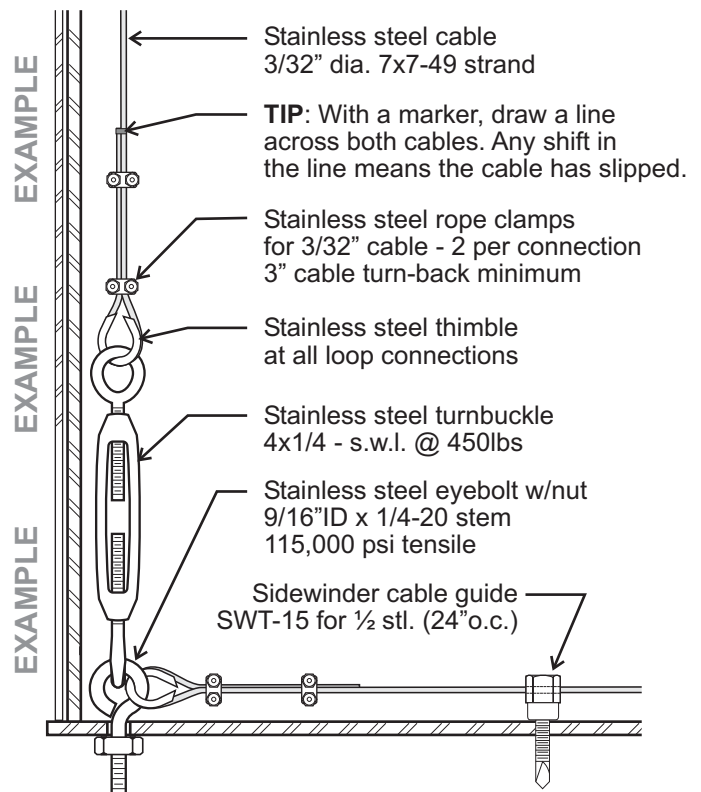
5. Apply load and Re-tighten all clamps!

After the netting has been attached to cable with net rings, the installation is tensioned by tightening the turnbuckles. In tension, multi-strand cables will stretch in length and shrink in diameter (small amounts). This can lead to loose rope clamps. Be sure to re-tighten all rope clamp nuts.

Example Area (10' x 10')



Basic Cable Connections



Nixalite® of America Inc.
1025 16th Avenue East Moline, IL. 61244
Experts In Architectural Bird Control Since 1950

Phone: 800.624.1189 or 309.755.8771

Fax: 800.624.1196 or 309.755.0077

Email: birdcontrol@nixalite.com

Web: www.nixalite.com



Where the World Shops for Humane Bird and Animal Control.