

Nixalite® Ridge Caps



Nixalite's Ridge Cap is a 316 stainless steel form that provides a stable and secure mounting surface for the Nixalite Premium Barrier Models and E-Spike Economy Models on roof ridges and other peaked surfaces. Each Ridge Cap has the necessary strip mounting clips already in position. Please read the following instructions completely before proceeding.

Ridge Cap Quantities and Spacing

Use the **Ridge Cap Spacing Table** to determine how many Ridge Caps you will need, and how far apart they should be spaced.

The first strip in a row of spike strips requires one more Ridge Cap than each following strips in that row. This is due to the double clip design. The end of the first strip and the beginning of the next strip can be fastened with one Ridge Cap. See **Shared Ridge Cap** detail below.

Ridge Cap Spacing Table

| Spike Strip | Ridge Caps | Spacing |
|-----------------------|------------|----------|
| First 48" strip | 4 caps | 16" o.c. |
| Every 48" strip after | 3 caps | 16" o.c. |
| First 24" strip | 3 caps | 12" o.c. |
| Every 24" strip after | 2 caps | 12" o.c. |
| First 16" strip | 2 caps | 16" o.c. |
| Every 16" strip after | 1 cap | 16" o.c. |
| First 12" strip | 2 caps | 12" o.c. |
| Every 12" strip after | 1 cap | 12" o.c. |

1. Clean the surface

Make sure the installation surface is clean, dry and free of any bird refuse.

2. Mark the Ridge Cap positions

Using the **Ridge Cap Spacing Table**, determine the center-to-center spacing along the peak.

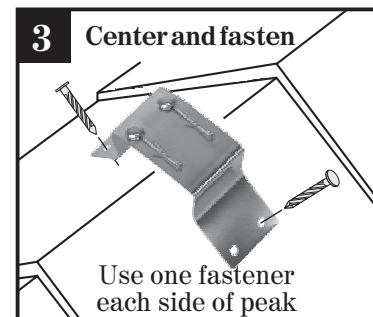
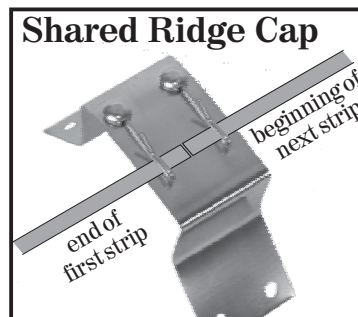
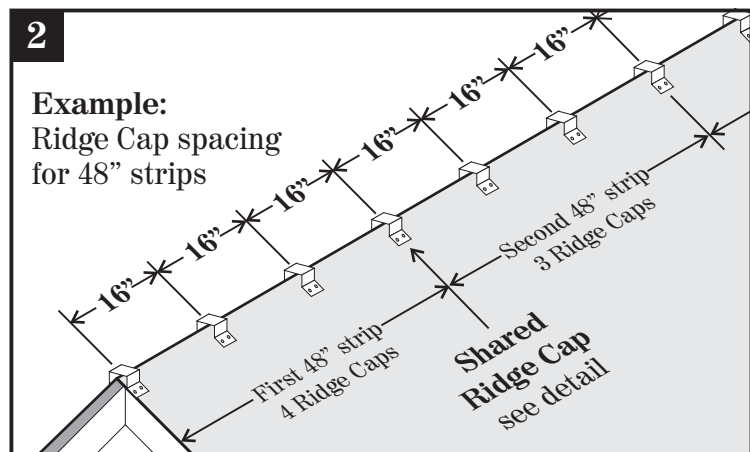
3. Fasten the Ridge Caps

** As a precautionary measure, apply a protective sealant between the peak and the Ridge Caps, where the mounting hardware will penetrate the surface.

Center over the peak of the roof and fasten with the appropriate fasteners. Use one fastener on each side of peak, staggering them as shown in detail 3.

4. Install Nixalite

Using the Nixalite Installation Tool, push the spike strips into the Ridge Cap mounting hardware.



**Apply sealant where nails penetrate surface



Nixalite® of America Inc.
1025 16th Avenue East Moline, IL. 61244
Experts In Architectural Bird Control Since 1950

Phone: 800.624.1189 or 309.755.8771
Fax: 800.624.1196 or 309.755.0077
Email: birdcontrol@nixalite.com
Web: www.nixalite.com



Where the World Shops for Humane Bird and Animal Control.